

PROJECT:

FOR APPROVAL

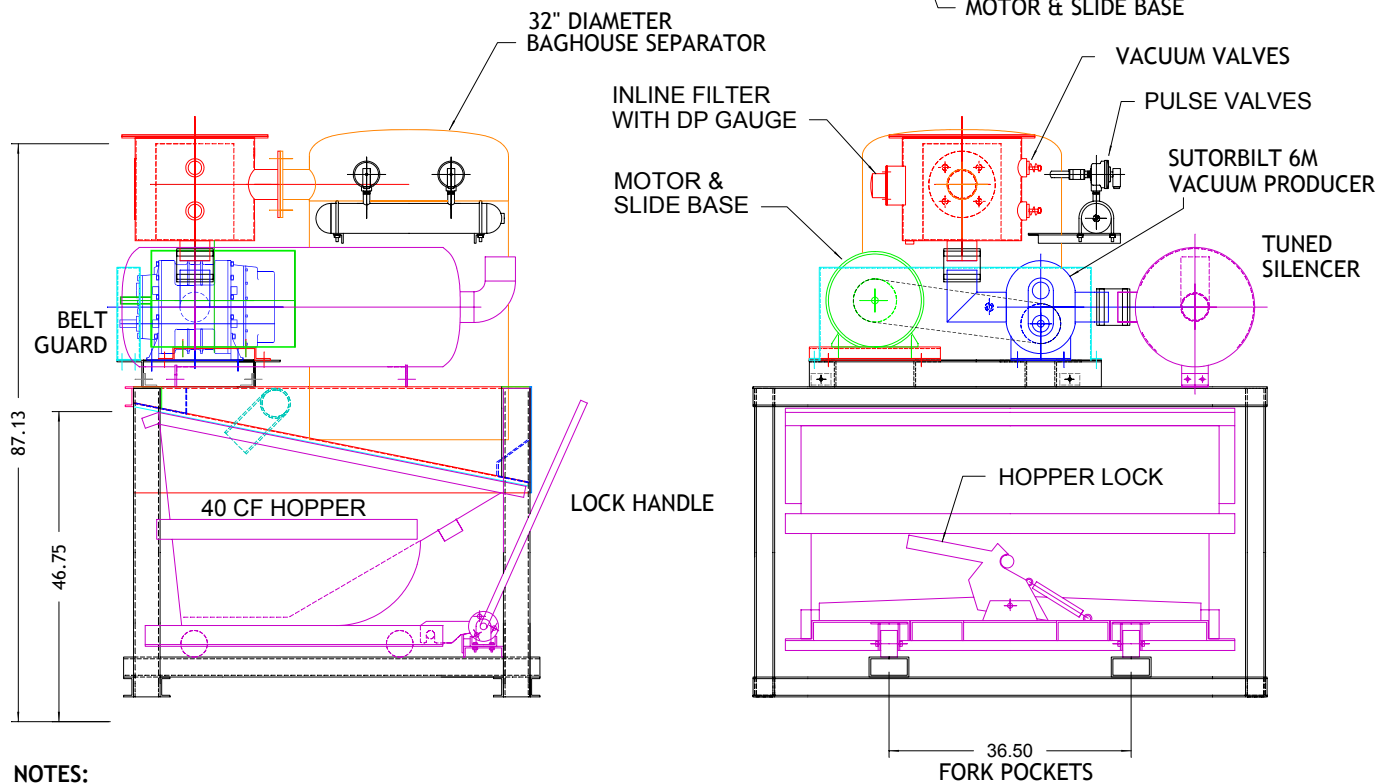
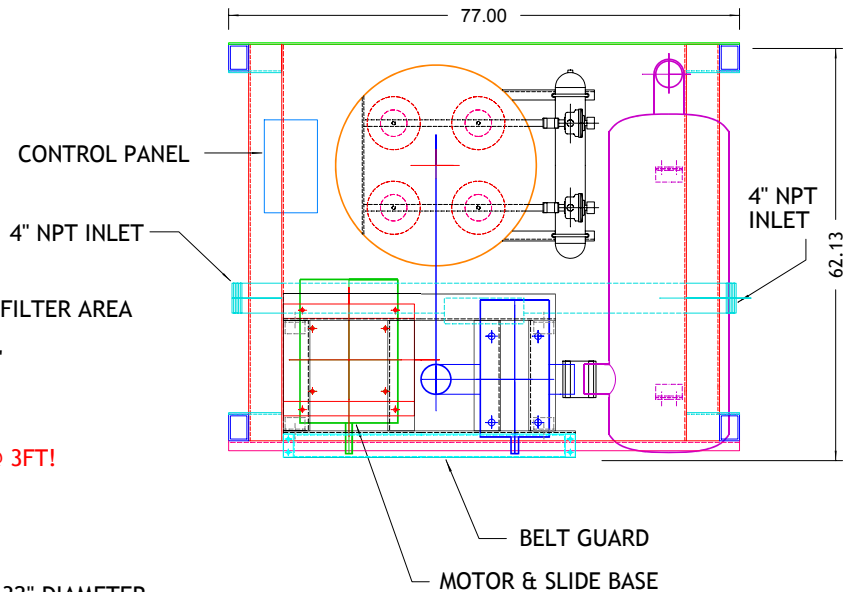
CERTIFIED

# DUROVAC MODEL PL300p PORTABLE VACUUM SYSTEM

**STANDARD FEATURES:**

1. 600 ICFM @ 16" Hg. CONTINUOUS
2. SUTORBILT 6M VACUUM PRODUCER
3. 30 HP LEESON MOTOR
4. FOUR (4) CARTRIDGES WITH TOTAL 244 SF FILTER AREA
5. 99.9% AT 1.0 MICRON, STANDARD
6. AUTOMATIC PULSE CLEANING "ON DEMAND"
7. 45.4 SF INLINE FILTER, STANDARD
8. 40 CF MATERIAL STORAGE
9. SILO TYPE, ABRASION RESISTANT INLET
10. CUSTOM TUNED SILENCER, UNDER 85 DBA @ 3FT!

FOUR (4) CARTRIDGE FILTERS  
244 SQ FT SURFACE AREA



**NOTES:**

1. SUITABLE FOR WET AND DRY PICKUP
2. EXPECT 175 - 225 LBS/MIN PICKUP WITH 3" HOSE 25 FT LONG
3. WILL SUPPORT A FIXED PIPE NETWORK UP TO 400 FT LONG WITHOUT MODIFICATION
4. PAINTED PRIME BASE COAT AND TWO TOP COATS OF ENAMEL

**WARNING: VACUUM PRODUCERS THAT CLAIM TO ACHIEVE 18" Hg. CAN \*NOT\* MAINTAIN VACUUM AT THAT LEVEL WITHOUT OVERHEATING!  
ENSURE YOU ASK FOR A WRITTEN PERFORMANCE GUARANTY THAT SPECIFIES 1 HOUR SEALED RUN TIME**

**NORTHWIND AIR SYSTEMS**  
BRAMPTON, ON 888-330-3365

01			DATE:	
00	10 DEC 02	FOR REVIEW	DRAWN BY:	KRW
Rev.	Date		SCALE:	NTS

DRAWING No.	Rev.
<b>ND2002159</b>	<b>00</b>
PAGE	1 OF 1