

MODEL DV62c

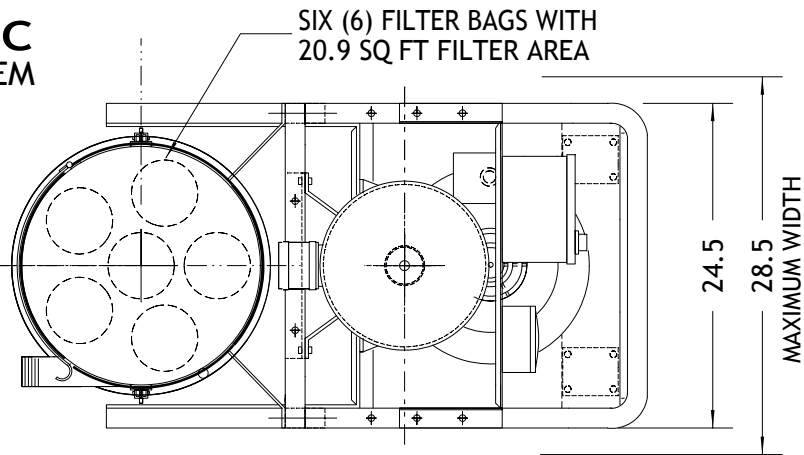
6.1 HP VACUUM SYSTEM

LARGE, EASY ACCESS
FILTER SERVICE DOOR

SUPER EFFICIENT
FILTRATION

FILTER CONDITION
INDICATOR GAUGE

EFFECTIVE
FILTER BAG
SHAKER



SPECIFICATIONS:

6.1 HP MOTOR (VOLTAGE TO SUIT)
219 SCFM MAX
129" STATIC PRESSURE MAX
20.9 SF FILTER BAGS
99.997% @ 0.4 MICRON EFFICIENT
19.3 US GALLON STORAGE DRUM
77 dBa NOISE LEVEL
WEIGHT 471 LBS

18" DIAMETER
BAGHOUSE FILTER

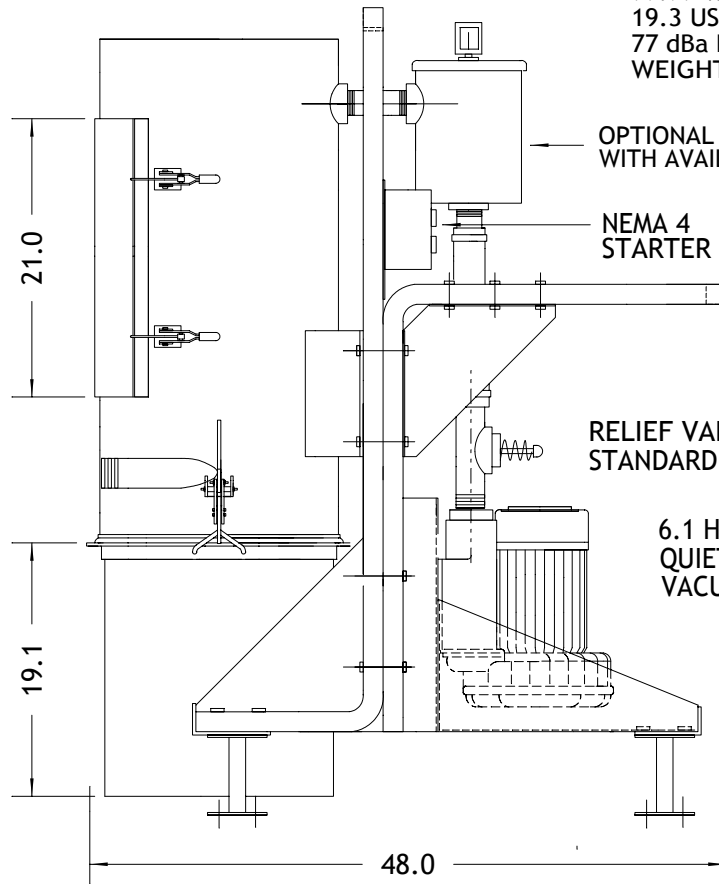
FILTERS NEVER
NEED CLEANING
AS THE CANISTER
FILLS.

OPTIONAL HEPA
FILTER WITH
CONDITION
INDICATOR

2.5" NPT
INLET WITH
INTERNAL
WEAR STRIP

19.3 US GAL
STORAGE DRUM

OPTIONAL EQUALIZER
KIT ALLOWS GARBAGE BAG
LINER IN DRUM



EFFECTIVE, BUILT-IN
SILENCER

			DATE:	FEB 2004	
			DRAWN BY:	KRW	
			SCALE:	N.T.S.	
0	FEB 04	ISSUED FOR REVIEW	DRAWING No.	Rev.	DuroVac DV62c CONTINUOUS DUTY VACUUM SYSTEM
No.	DATE	REVISIONS	DVD20407	00	